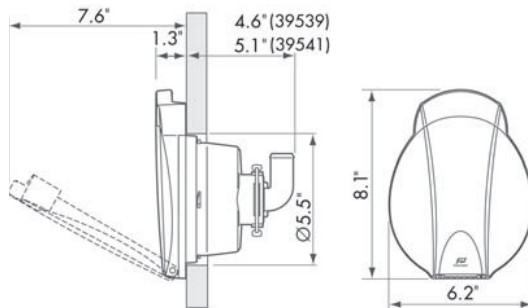


Cockpit Bilge Pumps



PLUMBING & ELECTRICAL

Cockpit Bilge Pumps



- Fully integrated pump handle
- 90° elbow outlets swivel through 360°
- Constructed of extremely durable, impact-resistant materials that are impervious to oils and chemicals
- 316L stainless steel handle
- Low-profile UV-resistant cover removes easily for maintenance
- Removable the diaphragm for cleaning, replacement or routine maintenance in seconds without disassembling the pump
- Dimensions: 9"H x 7"W
- Weight: 2 lbs. (.92kg)

39539 0.9L-capacity, 1" (25mm) hose, for boats 16-40' (5-12m)

39541 1.0L-capacity, 1.5" (38mm) hose, for boats over 33' (10m)

Accessories

- 40676 Inlet valve
- 40677 Outlet valve
- 40678 2 fastening clips
- 40681 Spare diaphragm
- 42797 Nonreturn valve

Nonreturn valve with
1"/1¼" straight outlet
42797



Model	Boat Size	Output per cycle	Capacity* per minute	Hose Diameter	Spare Cover	Spare Elbows
39539	16-20' 5-12m	.24 gal .9 ltr	10.7 gal 40.5 ltr	1" 25mm	40682	40679
39541	over 33' over 10m	.26 gal 1 ltr	11.9 gal 45 ltr	1.5" 38mm	40683	40680

*ISO 15083 standard

Manual Diaphragm Pumps Features

- Self-priming
- Leak-free
- Quick-release inspection cover
- Hose diameter: 1.5" (38mm)



11722
with elbow kit
17492



11724

Double Action Pump

- 11724 Built-in outlet
- Outlet elbows swivel 220°
 - O-rings at outlet elbows for watertightness
 - .34 gal / per stroke (1.3 ltr)



17491

17492

Single Action Pump

- 11723 Built-in straight outlets
- 11722 No outlets – select straight or elbow outlet kit
- 17491 Straight outlet kit
- 17492 Elbow outlet kit .22 gal / stroke (.85 ltr)



11723



14263

Accessories

- 14263 Watertight gasket with cover (IOR-compliant)
- 12611 Cover only
- 14315 Spare handle
- 16213 Gasket Kit
- 16702 Handle storage clips
- 16217 Replacement diaphragm
- 42797 Nonreturn valve

