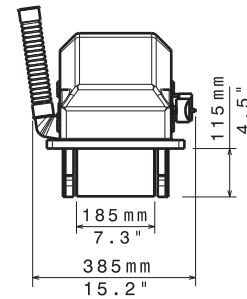
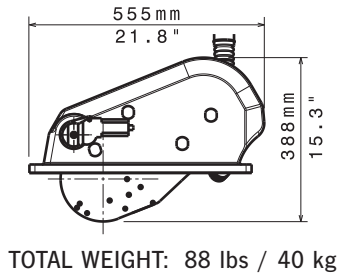
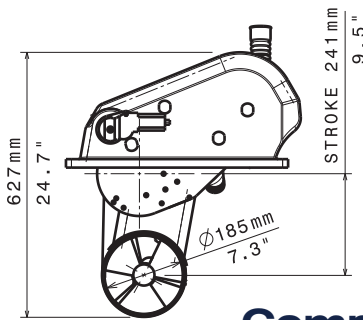




CR70
CR80

- Ideally suited for performance sailboats 37-50'
- Compact and lightweight
- Simple installation
- Integrated electric motor
- Available in 12V and 24V
- User friendly control panel
- High resistance spiro-conical gears
- Includes thruster, joystick, 75' (25m) cable, mounting bolts
- Mounting Flange and fuses sold separately



Compact Retract™ Thrusters

Model	CR70	CR80
Part No.	RTE085012	RTE085024
Voltage	12V	24V
Propellers	2	2
Thrust	152 lb / 69 kg	171 lb / 78 kg
Power (kW)	4.79	5.28
Horsepower (Hp)	6.4	7.1
Weight	88 lb / 40 kg	88 lb / 40 kg

THRUSTERS

Compact Retract™ Thrusters



VP088042

VP088042/G

Compact and Electric VIP Accessories

	Compact Retract	VIP Electric
Mounting Flange - Fiberglass	RT085020	VP082040
Mounting Flange - Aluminum	RT085019	VP082031
ANL Fuse (12V)* - 300A	5133B	5133B
ANL Fuse (24V)* - 250A	5131B	5131B
ANL Fuse Holder	5003B	5003B
Slow Blow (12V)** - 200 Amp	OPTI3112	OPTI3121
Slow Blow (24V)** - 125A	OPTI3114	OPTI3112
Slow Blow Fuse Holder (12V)	OPTI3119	OPTI3091
Slow Blow Fuse Holder (24V)	OPTI3119	OPTI3119
Extra Joystick - Black	VP088042	VP088042
Extra Joystick - Gray	VP088042/G	VP088042/G

*ANL fuses are supplied as standard for ABYC compliance.

**Max Power offers slow-blow fuses specifically calibrated for their thrusters.