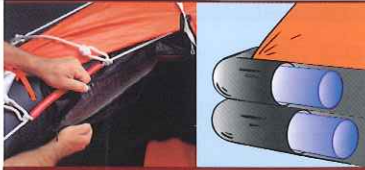


# Plastimo Liferaft Features



SAFETY

Plastimo Liferaft Features



**Materials:** The outer envelope is constructed of 1100 Decitex PVC because it's extremely abrasion-resistant. The inner chamber is constructed from high quality polyurethane that guarantees absolute water and air-tightness, and offers a 600% stretch capacity!

**Double Chamber Construction:** Only Plastimo rafts have "tube-within-a-tube" construction. Like tires, they consist of a polyurethane inner chamber within a PVC-coated polyester shell. The shell material provides superior resistance. The inner fabric is totally airtight. A heavy-duty nylon zipper on the shell allows easy access to the inner chamber for emergency repairs at sea, and keeps servicing costs low, too.



**Double floor:** Insulating foam-coated fabric provides added hypothermia protection and comfort.

**Packing:** A vacuum-sealed envelope gives the stored raft additional protection, a Plastimo innovation.



**Floating anchor** is included to reduce drift.



**Lighting:** Lithium-powered 12-hour light atop the canopy (Offshore+).

**Survival equipment** is packed in a watertight pouch that's secured inside the raft so equipment will always be close at hand. Transparent pouch makes the contents easy to identify and grab.



**Visibility:** Highly visible fluorescent orange exterior with retro-reflective stripes.

**Boarding ladders** improve safety and make boarding easier, especially from the water.



**Arch tube:** Inflates automatically with the tubes and provides canopy support for improved comfort.

**Righting strap** for righting a capsized raft.



**Large, deep ballast pockets** improve stability and reduce drift and provide anticapsizing forces 3 to 4 times greater than on rafts with standard ballast pockets.

**Inflation temperature range:** An essential criterion for passagemakers and round-the-world racers who rely on their rafts to function in extreme temperatures. The range for Plastimo rafts is 32°-135°F (0° to +65°C).



**Patented firing head:** Plastimo's double-action gas-activated firing head is the most reliable on the market and requires minimal pull on the firing lanyard for easy inflation—even a child can deploy a Plastimo raft.

# 10 Reasons to Have a Plastimo Liferaft Onboard

**1 40 Years** of Experience as Safety Equipment Specialists.

**2 Double Chamber Construction:** Only Plastimo rafts have "tube-within-a-tube" construction to protect against puncture and abrasion. A heavy-duty nylon zipper on the shell allows easy access to the inner chamber for emergency repairs at sea, and keeps servicing costs low, too.

**3 Large, deep ballast pockets** improve stability, reduce drift and provide anticapsizing forces 3 to 4 times greater than on rafts with standard ballast pockets.

**4 Secure equipment:** All survival equipment is packed in a watertight pouch that's secured inside the raft so equipment will always be close at hand, whatever the conditions. The transparent pouch makes the contents easy to identify and grab.

**5 12-year warranty:** The longest in the industry.

**6 Free Service or Replacement:** If your liferaft saves your life following a shipwreck, we'll service it free of charge or, if necessary, replace it. This unmatched offer lets us get to know you and learn from your experience, so we can continue to innovate.

**7 3-year servicing:** A Plastimo innovation based on our absolute confidence in our product. During the 12-year warranty period, service is required only three times, saving you money.

**8 Trained service technicians:** Every Plastimo liferaft service technician attends regular training sessions, and we physically inspect our servicing stations regularly to ensure that they offer you the best service.

**9 Worldwide Servicing:** Plastimo service stations are located worldwide. Wherever you are, you will find a competent technician to assist you and to service your liferaft.

**10 For you, your family and your crew:** Your car features antilock brakes, airbags, flameproof seats and many other safety features. Why settle for less on your boat?



Thierry Martinez ©



B. Y. Leglatin ©



M. Mallafre ©



B. Y. Leglatin ©



B. Y. Leglatin ©



B. Y. Leglatin ©



W. Borel ©



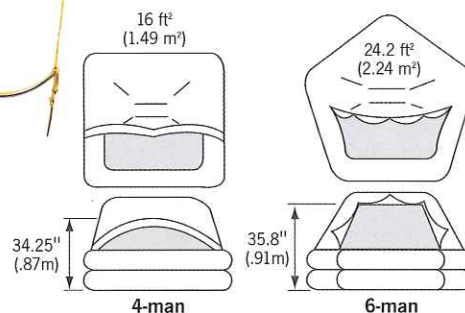
## Cruiser Liferrafts

- Designed for bluewater up to 50 miles from shore
- 1 outside rope ladder + 1 inside webbing ladder
- Standard safety gear package
- Self-inflating arch tube
- *Single floor*



| Cruiser | Persons | Storage  | Weight (lb/kg)     | Dimensions                             |
|---------|---------|----------|--------------------|--|
| 54584   | 4       | Valise   | 47.5 lb<br>21.5 kg | 25.6" x 17.0" x 9.9"<br>65 x 43 x 25cm |
| 54585   | 4       | Canister | 54 lb<br>24.5 kg   | 27.6" x 17.4" x 9.1"<br>70 x 44 x 23cm |
| 54586   | 6       | Valise   | 56 lb<br>25.5 kg   | 28.8" x 15.8" x 9.9"<br>73 x 40 x 25cm |
| 54587   | 6       | Canister | 68 lb<br>28.5 kg   | 27.6" x 17.4" x 9.9"<br>70 x 44 x 25cm |

Larger capacity liferafts are available by special order. Please inquire.



Useful dimensions, i.e. useful area inside liferaft and headroom below archtube.

SAFETY

Cruiser Liferrafts | Offshore+ Liferrafts

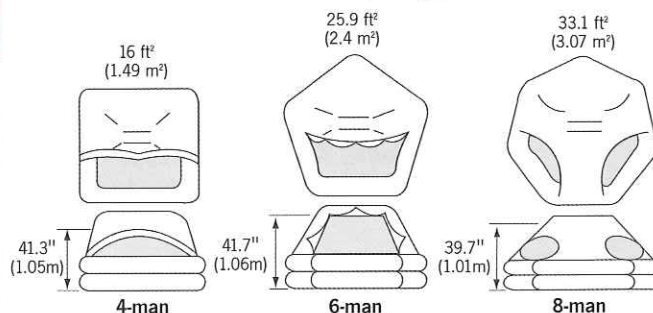
## Offshore+ Liferrafts

- Designed for bluewater long distance cruising and racing
- Large canopy opening
- 2 webbing ladders
- Additional ballast pockets
- Manually activated canopy light
- "Plus" safety gear package
- Self-inflating arch tube
- *Double floor*



| Offshore + | Persons | Storage  | Weight (lb/kg)     | Dimensions                                  |
|------------|---------|----------|--------------------|---|
| 35227      | 4       | Valise   | 71.5 lb<br>32.5 kg | 28.4" x 18.2" x 11.8"<br>72 x 46 x 30cm     |
| 35228      | 4       | Canister | 80.5 lb<br>36.5 kg | 29" x 18.7" x 10.3"<br>73.5 x 47.5 x 26cm   |
| 35225      | 6       | Valise   | 81.5 lb<br>37 kg   | 29.2" x 18.9" x 13"<br>74 x 48 x 33 cm      |
| 35226      | 6       | Canister | 88 lb<br>40 kg     | 29" x 18.7" x 11.3"<br>73.5 x 47.5 x 28.5cm |
| 47021      | 8       | Valise   | 97 lb<br>44 kg     | 31.5" x 20.5" x 12.6"<br>80 x 52 x 32cm     |
| 47020      | 8       | Canister | 106 lb<br>48 kg    | 31.3" x 19.5" x 12.2"<br>79.5 x 49.5 x 31cm |

Larger capacity liferafts are available by special order. Please inquire.



Useful dimensions, i.e. useful area inside liferaft and headroom below archtube.

Offshore+ only available in US.

# Safety Gear Package



| Equipment                       | Cruiser Standard | Offshore + |
|---------------------------------|------------------|------------|
| Floating anchor, 33' line (10m) | 1                | 1          |
| Floating anchor, 97' line (30m) | -                | 1          |
| Pump                            | 1                | 1          |
| Floating Knife                  | 1                | 2          |
| Rescue quoit, 49' (15m) line    | 1                | -          |
| Rescue quoit, 97' (30m) line    | -                | 1          |
| Bailer                          | 1                | 1          |
| Sponge                          | 1                | 2          |
| Repair kit                      | 1                | 1          |
| Checklist                       | 1                | 1          |
| Instruction manual              | 1                | 1          |
| Survival instructions           | 1                | 1          |
| Signal card                     | 1                | 1          |

| Personal Survival               | Cruiser Standard | Offshore +                                |
|---------------------------------|------------------|---|
| Raincatching gutter on canopy   | -                | 1   |
| Rainwater collection pouch      | -                | 1   |
| Water (Liter per person)        | .2               | .5  |
| Food rations ( oz/g per person) | -                | 4.4/125g                                  |
| Fishing kit                     | -                | 1   |
| First aid kit                   | -                | 1   |
| Seasickness pills (per person)  | -                | 6   |
| Seasickness pouch               | -                | -   |
| Signalling Equipment            |                  |   |
| Handflares, SOLAS               | -                | 3   |
| Parachute rockets, SOLAS        | -                | 2   |
| Chemical light sticks           | -                | 2   |
| Signalling mirror               | -                | 1   |
| Light on top of canopy          | -                | 1   |
| Retro-reflective tape on canopy | -                | 140 in <sup>2</sup> (900cm <sup>2</sup> ) |
| Retro-reflective tape on bottom | -                | 93 in <sup>2</sup> (600cm <sup>2</sup> )  |
| Waterproof flashlight           | 1                | 1   |
| Whistle                         | -                | 1   |

## Liferaft Cradles

- Designed to be mounted horizontally on deck
- 1.0"(25mm) stainless steel tube diameter
- Includes set of adjustable 1.6" (40mm) webbing straps
- Can be padlocked for security with Anti-theft cable (remember to unlock prior to departure)



Shown w/straps HA2000H & anti-theft cable

| Model | For Liferaft                | Anti-theft cable |
|-------|-----------------------------|------------------|
| 40445 | Cruiser 4 & 6 (all models)  | 40450            |
| 40446 | Offshore 4 & 6 (all models) | 40450            |
| 40447 | Offshore 8 (all models)     | 23136            |

## Hammar H20R Hydrostatic Release

### HA2000H

- Deploys your liferaft when submerged
- Requires no annual service, maintenance or spare parts
- Must be replaced after two years
- SOLAS, USCG and EC approved
- Includes installation instructions



SAFETY

Liferaft Cradles | Hydrostatic Release