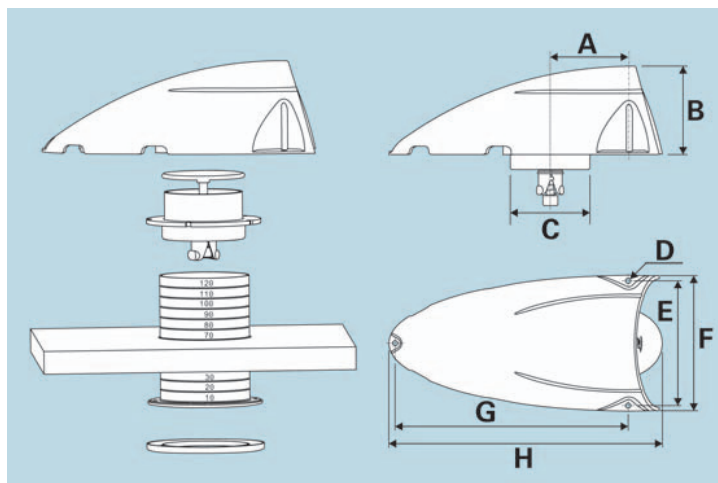


Streamlined Dorade Box

51637

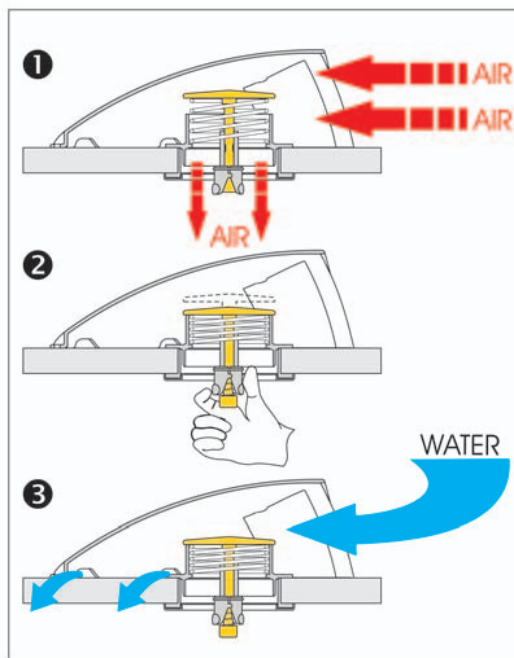
- Shock and UV resistant polyamide
- Sits 3.4" above the deck
- Can be closed from the inside to prevent accidental water intrusion
- Supplied with: Dorade body, shut-off system, (85mm) sleeve, white trim ring



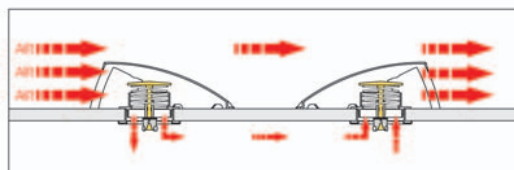
A	3.0" (75mm)
B	3.3" (85mm)
C	Ø3.5" (90mm)
D	Ø.2" (.5mm)
E	4.7" (120mm)
F	5.1" (130mm)
G	8.8" (224mm)
H	10.4" (263mm)

Accessories

- 51640 White trim ring
- 51641 Wood trim ring
- 51642 Chrome trim ring



1. Dorade is open and cabin is ventilated.
2. In case of heavy rain or a strong wave the dorade can be shut off from the cabin.
3. Once the dorade is shut off water evacuates along the sides of the box.



Equally suitable to allow air in and out

Omnidirectional Hatch Scoop

37996

- Keeps the air flowing no matter which way the wind is blowing
- Ultralight 100% polyester fabric
- Durable, reinforced seams
- Yellow and white



Hatch Scoop

37995

- Ultralight 100% polyester fabric
- Tensioning fiberglass batten
- Durable, reinforced seams
- Yellow and white



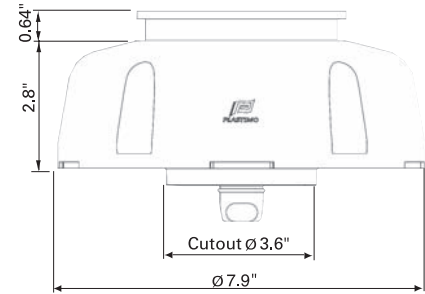
Cool'n Dry Dorades



- Unique weight sensitive baffle system keeps water out
- Damper can be closed manually from inside
- Adapts to existing vents

Model	Height	Blue Cowl	Red Cowl	Spare Cowls	
				Blue	Red
A	6.4"	30837	30838	17641	28865
B	11.8"	30841	30842	17639	28867
C	8.4"	30839	30840	31751	31753
D	11.8"	30843	30844	31752	31754

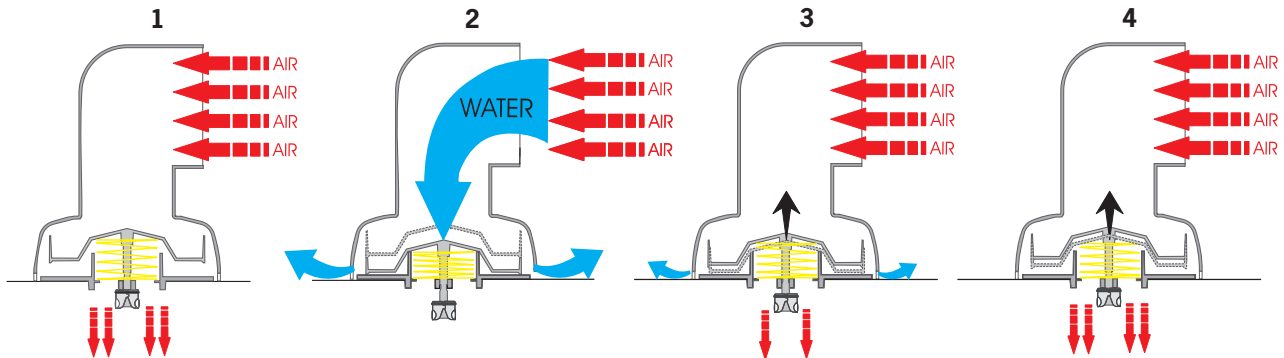
Model	Dorade only
31392	Fits 3" cowls
31393	Fits 4" cowls



Baffle keeps small water droplets from entering with the incoming air (1).

Heavy rain or waves activates the damper (2) that shuts down the baffle, preventing water intrusion.

As water evacuates (3), the damper lifts automatically to allow airflow again (4).



Cowl Vents & Dorades



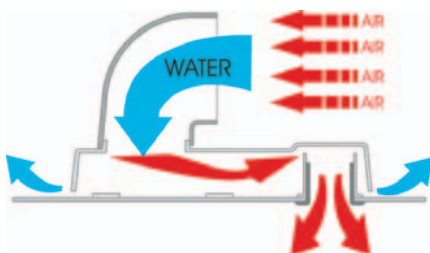
- Cowls are soft, flexible dip-molded PVC
- UV resistant
- Turn the vent forward to let air flow in and aft to act as an exhaust vent
- Includes interior trim ring, snap-on cowl, and storm cap

Model	Blue cowl	Red cowl	Overall width	Overall height	Cutout Ø	Air flow Ø	Spare cowls	
							Blue	Red
A	16922	17626	6.8"	3.6"	3.0"	2.4"	17641	28865
B	16923	17627	7.6"	6.0"	3.6"	3.2"	17640	28866
C	16924	17624	4.8"	9.2"	3.0"	2.4"	17639	28867
D	16926	17625	5.6"	9.4"	3.6"	3.2"	17649	28868
E	17628	17629	8.0"	12.0"	4.8"	4.8"	-	28869
F	16925*	-	7.6"	11.2"	4.8"	4.8"	17648	-
G	16932	11661	10.4"	6.0"	3.0"	2.5"	17641	28865
H	16933	11662	13.4"	8.2"	3.6"	3.2"	17640	28866

*Threaded aluminum deck ring



- Use a dorade model to prevent rain or spray from entering through the cowl
- Rigid ABS plastic dorade
- Deck cutout is at opposite end of the dorade from the cowl, and is protected by the sleeve that prevents water from flowing into the cabin
- Includes dorade, cowl, storm cap, thru-deck sleeve, and interior trim ring



Accessories

- 16930 Deck ring and screw-on cover for model A and C
- 16929 Deck ring and screw-on cover for model B and D
- 12809 Cover for model E
- 16927 Anti-water intrusion sleeve for model B and D