



## Top Line Low-Profile Hatches



Hatch



Hatch with Box



Hatch with Box and Dividers

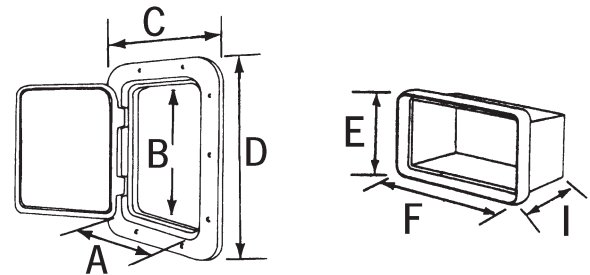
### Hatch Features

- Molded of durable, corrosion-proof high-impact ABS plastic or polyethylene
- Polyethylene hatches are more resistant to chemicals and solvents than ABS hatches
- Structurally reinforced for added strength
- Nonskid diamond pattern
- Rubber gasket creates a watertight seal
- Noncorroding plastic hinges open 180°
- Includes screw hole covers
- Models with locks include two keys

### 7x11 (8250)

A	B	C	D
7.2" (183mm)	11.4" (289mm)	10.6" (270mm)	14.8" (375mm)
E	F	I	
8.3" (210mm)	12.0" (305mm)	6.3" (160mm)	

Model	Color	Material	Locking	Box	Dividers
44846	white	ABS	-	-	-
47443	ivory	ABS	-	-	-
44848	gray	ABS	-	-	-
195336	white	Poly	-	-	-
195299	ivory	Poly	-	-	-
44849	white	ABS	✓	-	-
47627	ivory	ABS	✓	-	-
44850	gray	ABS	✓	-	-
195336.1	white	Poly	✓	-	-
195299.1	ivory	Poly	✓	-	-
44851	white	ABS	-	✓	-
47628	ivory	ABS	-	✓	-
44852	gray	ABS	-	✓	-
44853	white	ABS	✓	✓	-
47629	ivory	ABS	✓	✓	-
44854	gray	ABS	✓	✓	-
44855	white	ABS	-	✓	✓
47630	ivory	ABS	-	✓	✓
44856	gray	ABS	-	✓	✓
44857	white	ABS	✓	✓	✓
47631	ivory	ABS	✓	✓	✓
44858	gray	ABS	✓	✓	✓



### 9x14 (8240)

A	B	C	D
9.3" (237mm)	14.1" (357mm)	12.4" (315mm)	17.3" (440mm)

Model	Color	Material	Locking
195236	white	ABS	-
195237	ivory	ABS	-
195238	gray	ABS	-
195287	white	Poly	-
195292	ivory	Poly	-
195239	white	ABS	✓
195240	ivory	ABS	✓
195241	gray	ABS	✓
195287.1	white	Poly	✓
195292.1	ivory	Poly	✓



# Top Line Hatches



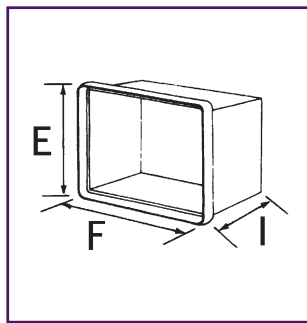
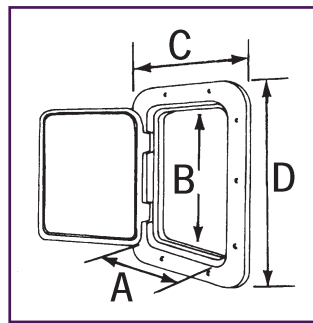
Lock



Hatch



Hatch with Box



## 11x11 (8260)

A	B	C	D
11.1" (283mm)	11.4" (289mm)	14.6" (370mm)	14.8" (375mm)
E	F	I	
12.2" (310mm)	12.6" (320mm)	9.6" (245mm)	

Model	Color	Material	Locking	Box
42472	white	ABS	-	-
48690	ivory	ABS	-	-
44863	gray	ABS	-	-
195339	white	Poly	-	-
195342	ivory	Poly	-	-
44864	white	ABS	✓	-
47632	ivory	ABS	✓	-
44865	gray	ABS	✓	-
195339.1	white	Poly	✓	-
195342.1	ivory	Poly	✓	-
44866	white	ABS	-	✓
47633	ivory	ABS	-	✓
44867	gray	ABS	-	✓
44868	white	ABS	✓	✓
47634	ivory	ABS	✓	✓
44869	gray	ABS	✓	✓

## 15x17 (8270)

A	B	C	D
14.7" (373mm)	17.0" (433mm)	18.1" (460mm)	20.0" (510mm)
E	F	I	
15.6" (395mm)	17.5" (445mm)	13.0" (330mm)	

Model	Color	Material	Locking	Box
44875	white	ABS	-	-
47635	ivory	ABS	-	-
44876	gray	ABS	-	-
195345	white	Poly	-	-
195348	ivory	Poly	-	-
44877	white	ABS	✓	-
47636	ivory	ABS	✓	-
44878	gray	ABS	✓	-
195345.1	white	Poly	✓	-
195348.1	ivory	Poly	✓	-
44879	white	ABS	-	✓
47637	ivory	ABS	-	✓
44880	gray	ABS	-	✓
44881	white	ABS	✓	✓
47638	ivory	ABS	✓	✓
44882	gray	ABS	✓	✓

DECK HARDWARE

11x11 | 15x17 Hatch



## Top Line Hatches



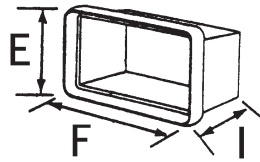
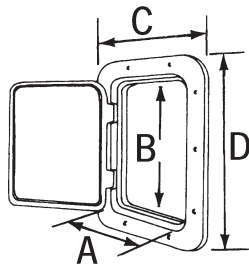
Hatch



Hatch with Box



Lock



### 7x21 (8290)

A	B	C	D
6.4" (162mm)	20.5" (521mm)	9.6" (243mm)	24.0" (607mm)

Model	Color	Material	Locking
47067	white	ABS	-
47643	ivory	ABS	-
47068	gray	ABS	-
195354	white	Poly	-
195357	ivory	Poly	-
47069	white	ABS	✓
47644	ivory	ABS	✓
47070	gray	ABS	✓
195354.1	white	Poly	✓
195357.1	ivory	Poly	✓

### 11x21 (8280)

A	B	C	D
10.5" (266mm)	20.5" (520mm)	13.9" (353mm)	23.9" (606mm)

E	F	I
11.4" (290mm)	21.3" (540mm)	11.5" (293mm)

Model	Color	Material	Locking	Box
42473	white	ABS	-	-
47639	ivory	ABS	-	-
44891	gray	ABS	-	-
195351	white	Poly	-	-
195302	ivory	Poly	-	-
44892	white	ABS	✓	-
47640	ivory	ABS	✓	-
44893	gray	ABS	✓	-
195351.1	white	Poly	✓	-
195302.1	ivory	Poly	✓	-
44894	white	ABS	-	✓
47641	ivory	ABS	-	✓
44895	gray	ABS	-	✓
44896	white	ABS	✓	✓
47642	ivory	ABS	✓	✓
44897	gray	ABS	✓	✓

DECK HARDWARE

11x21 | 7x21 Hatch

### Top Line Hatch Accessories



44206 ABS Handle  
195291 Poly Handle



44554 Topline Gasket



44813 Lock