



Electric Tunnel Thrusters

- Complete range of 12V/24V electric tunnel thrusters to suit power and deep footed sailing boats from 17'-85'
- Designed for performance & durability

FEATURES:



Corrosion free **composite drive legs** eliminate the need for periodic anode changes and offer high manufacturing tolerances.



Line shields protect oil seals from fishing lines & fouling, ensuring maintenance free operation.



Drive legs are pre-filled with oil and sealed for life for **zero maintenance**.



High efficiency, purpose built **DC motors** ensure outstanding performance and long runtime ratings



Case hardened spiro-conical gears guarantee a silent, smooth and durable drive leg.



Solid copper contact bars guarantee **safe, high power connections**.



Purpose built high specification **DC relays** are both safe and durable.



Electronic control boxes offering **unrivaled safety features** to protect against accidental misuse.

THRUSTERS

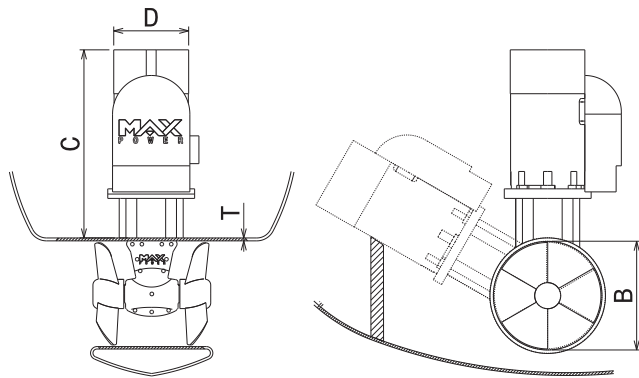
Electric Tunnel Thrusters



Model No.	CT35	CT45	CT60		CT80	
Part No.	MPSPC212	MPSPC312	MPSPC412	MPSPC424	MPSPC512	MPSPC524
Voltage	12v	12v	12v	24v	12v	24v
Tunnel Diameter	5" / 125mm	5" / 125mm	7.25" / 185mm	7.25" / 185mm	7.25" / 185mm	7.25" / 185mm
Propellers	1	2	1	1	2	2
Power (kW)	2.69	3.23	4.35	4.4	4.79	5.28
Horsepower	3.6	4.3	5.8	5.9	6.4	7.1
Thrust	77 lbs / 35 kg	88 lbs / 40 kg	128 lb / 58 kg	138 lbs / 63 kg	145 lb / 69 kg	152 lb / 75 kg
Weight	22 lb / 9.6 kg	22 lb / 9.65 kg	33 lb / 14.7 kg	33 lb / 14.8 kg	34 lb / 15.0 kg	34 lb / 15.1 kg
Measurements						
B	4.9" / 125mm	4.9" / 125mm	7.3" / 185mm		7.3" / 185mm	
C	8.3" / 210mm	8.3" / 210mm	10.3" / 275mm		10.3" / 275mm	
D	4.5" / 115mm	4.5" / 115mm	5.1" / 130mm		5.1" / 130mm	
T (thickness)	.16-.2" / 4-5mm	.16-.2" / 4-5mm	.24-.28" / 6-7mm		.24-.28" / 6-7mm	



To install a tunnel thruster, you will need to select: thruster, joystick, tunnel, control panel, fuse, fuse holder and cable. Please **see page 59** for the selection of the rest of the components.



CT225



THRUSTERS

Electric Tunnel Thrusters

CT100	CT125		CT165		CT225		CT325*
MPSPC812	MPSPC824	MPSPC824/12	MPSPC924	MPSPC924/12	MPSPC1124	MPSPC1124/12	MPSP3024*
12v	24v	24v/12v control	24v	24v/12v control	24v	24v/12v control	24v
7.25" / 185mm	7.25" / 185mm	7.25" / 185mm	10" / 250mm	10" / 250mm	10" / 250mm	10" / 250mm	12.4" / 315mm
2	2	2	2	2	2	2	2
7.1	8.56	8.56	11.88	11.88	14.96	14.96	19.69
9.5	11.5	11.5	15.9	15.9	20	20	26.4
212 lb / 96 kg	253 lb / 115 kg	253 lb / 115 kg	352 lb / 160 kg	352 lb / 160 kg	429 lb / 195 kg	429 lb / 195 kg	562 lb / 255 kg
53 lb / 24 kg	53 lb / 24 kg	53 lb / 24 kg	80 lb / 36 kg	80 lb / 36 kg	82 lb / 37 kg	82 lb / 37 kg	129 lb / 58.5 kg
7.3" / 185mm	7.3" / 185mm		9.9" / 250mm		9.9" / 250mm		12.4" / 315mm
14.4" / 365mm	14.4" / 365mm		16.9" / 430mm		16.0" / 405mm		18.3" / 465mm
6.3" / 160mm	6.3" / 160mm		6.7" / 170mm		6.7" / 170mm		7.9" / 200mm
.24-.28" / 6-7mm	.24-.28" / 6-7mm		.28-.32" / 7-8mm		.28-.32" / 7-8mm		.35-.39" / 9-10mm

*This model only available with bronze drive leg.