



Top Line Low-Profile Hatches



Hatch



Hatch with Box



Hatch with Box and Dividers

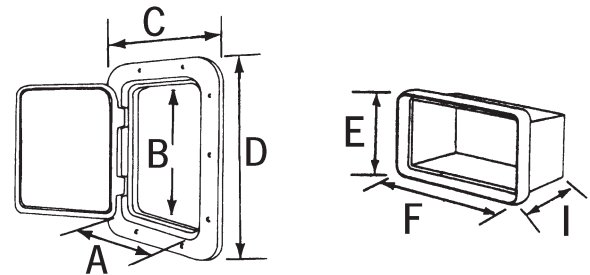
Hatch Features

- Molded of durable, corrosion-proof high-impact ABS plastic or polyethylene
- Polyethylene hatches are more resistant to chemicals and solvents than ABS hatches
- Structurally reinforced for added strength
- Nonskid diamond pattern
- Rubber gasket creates a watertight seal
- Noncorroding plastic hinges open 180°
- Includes screw hole covers
- Models with locks include two keys

7x11 (8250)

A	B	C	D
7.2" (183mm)	11.4" (289mm)	10.6" (270mm)	14.8" (375mm)
E	F	I	
8.3" (210mm)	12.0" (305mm)	6.3" (160mm)	

Model	Color	Material	Locking	Box	Dividers
44846	white	ABS	-	-	-
47443	ivory	ABS	-	-	-
44848	gray	ABS	-	-	-
195336	white	Poly	-	-	-
195299	ivory	Poly	-	-	-
44849	white	ABS	✓	-	-
47627	ivory	ABS	✓	-	-
44850	gray	ABS	✓	-	-
195336.1	white	Poly	✓	-	-
195299.1	ivory	Poly	✓	-	-
44851	white	ABS	-	✓	-
47628	ivory	ABS	-	✓	-
44852	gray	ABS	-	✓	-
44853	white	ABS	✓	✓	-
47629	ivory	ABS	✓	✓	-
44854	gray	ABS	✓	✓	-
44855	white	ABS	-	✓	✓
47630	ivory	ABS	-	✓	✓
44856	gray	ABS	-	✓	✓
44857	white	ABS	✓	✓	✓
47631	ivory	ABS	✓	✓	✓
44858	gray	ABS	✓	✓	✓



9x14 (8240)

A	B	C	D
9.3" (237mm)	14.1" (357mm)	12.4" (315mm)	17.3" (440mm)

Model	Color	Material	Locking
195236	white	ABS	-
195237	ivory	ABS	-
195238	gray	ABS	-
195287	white	Poly	-
195292	ivory	Poly	-
195239	white	ABS	✓
195240	ivory	ABS	✓
195241	gray	ABS	✓
195287.1	white	Poly	✓
195292.1	ivory	Poly	✓



Top Line Hatches



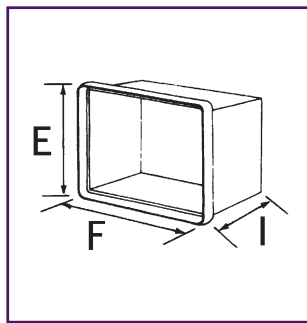
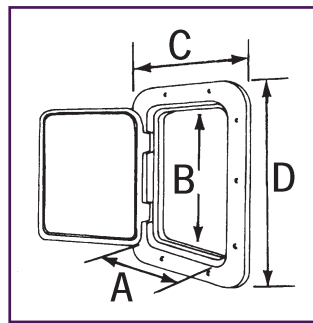
Lock



Hatch



Hatch with Box



11x11 (8260)

A	B	C	D
11.1" (283mm)	11.4" (289mm)	14.6" (370mm)	14.8" (375mm)
E	F	I	
12.2" (310mm)	12.6" (320mm)	9.6" (245mm)	

Model	Color	Material	Locking	Box
42472	white	ABS	-	-
48690	ivory	ABS	-	-
44863	gray	ABS	-	-
195339	white	Poly	-	-
195342	ivory	Poly	-	-
44864	white	ABS	✓	-
47632	ivory	ABS	✓	-
44865	gray	ABS	✓	-
195339.1	white	Poly	✓	-
195342.1	ivory	Poly	✓	-
44866	white	ABS	-	✓
47633	ivory	ABS	-	✓
44867	gray	ABS	-	✓
44868	white	ABS	✓	✓
47634	ivory	ABS	✓	✓
44869	gray	ABS	✓	✓

15x17 (8270)

A	B	C	D
14.7" (373mm)	17.0" (433mm)	18.1" (460mm)	20.0" (510mm)
E	F	I	
15.6" (395mm)	17.5" (445mm)	13.0" (330mm)	

Model	Color	Material	Locking	Box
44875	white	ABS	-	-
47635	ivory	ABS	-	-
44876	gray	ABS	-	-
195345	white	Poly	-	-
195348	ivory	Poly	-	-
44877	white	ABS	✓	-
47636	ivory	ABS	✓	-
44878	gray	ABS	✓	-
195345.1	white	Poly	✓	-
195348.1	ivory	Poly	✓	-
44879	white	ABS	-	✓
47637	ivory	ABS	-	✓
44880	gray	ABS	-	✓
44881	white	ABS	✓	✓
47638	ivory	ABS	✓	✓
44882	gray	ABS	✓	✓

DECK HARDWARE

11x11 | 15x17 Hatch



Top Line Hatches



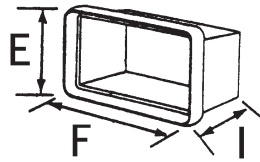
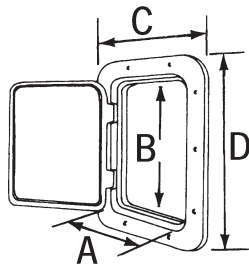
Hatch



Hatch with Box



Lock



DECK HARDWARE

11x21 | 7x21 Hatch

7x21 (8290)

A	B	C	D
6.4" (162mm)	20.5" (521mm)	9.6" (243mm)	24.0" (607mm)

Model	Color	Material	Locking
47067	white	ABS	-
47643	ivory	ABS	-
47068	gray	ABS	-
195354	white	Poly	-
195357	ivory	Poly	-
47069	white	ABS	✓
47644	ivory	ABS	✓
47070	gray	ABS	✓
195354.1	white	Poly	✓
195357.1	ivory	Poly	✓

11x21 (8280)

A	B	C	D
10.5" (266mm)	20.5" (520mm)	13.9" (353mm)	23.9" (606mm)

E	F	I
11.4" (290mm)	21.3" (540mm)	11.5" (293mm)

Model	Color	Material	Locking	Box
42473	white	ABS	-	-
47639	ivory	ABS	-	-
44891	gray	ABS	-	-
195351	white	Poly	-	-
195302	ivory	Poly	-	-
44892	white	ABS	✓	-
47640	ivory	ABS	✓	-
44893	gray	ABS	✓	-
195351.1	white	Poly	✓	-
195302.1	ivory	Poly	✓	-
44894	white	ABS	-	✓
47641	ivory	ABS	-	✓
44895	gray	ABS	-	✓
44896	white	ABS	✓	✓
47642	ivory	ABS	✓	✓
44897	gray	ABS	✓	✓

Top Line Hatch Accessories



44206 ABS Handle
195291 Poly Handle



44554 Topline Gasket



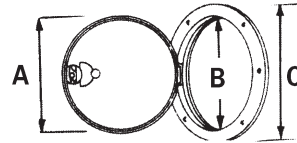
44813 Lock



Top Line Screw-in Inspection Plates

- Matches Top Line Hatches
- ABS plastic
- O-rings provide a watertight fit
- White

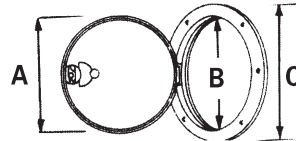
Model	Color	Material	Interior Dimensions (B)	Exterior Dimensions (C)
47073	white	ABS	4.3" (108mm)	6.4" (162mm)
47734	ivory	ABS	4.3" (108mm)	6.4" (162mm)
47075	white	ABS	5.3" (133mm)	7.4" (187mm)
47735	ivory	ABS	5.3" (133mm)	7.4" (187mm)
47077	white	ABS	7.2" (188mm)	8.8" (222mm)
47736	ivory	ABS	7.2" (188mm)	8.8" (222mm)



Value Line Screw-in Inspection Plates

- ABS plastic
- O-rings provide a watertight fit.

Model	Color	Material	Interior Dimensions (B)	Exterior Dimensions (C)
43909	white	ABS	4.0" (104mm)	5.4" (143mm)
47731	ivory	ABS	4.0" (104mm)	5.4" (143mm)
43918	white	ABS	5.3" (130mm)	6.8" (170mm)
47732	ivory	ABS	5.3" (130mm)	6.8" (170mm)
43927	white	ABS	6.1" (155mm)	7.8" (200mm)
47733	ivory	ABS	6.1" (155mm)	7.8" (200mm)



Inspection Plates with Twist-to-Open Handle

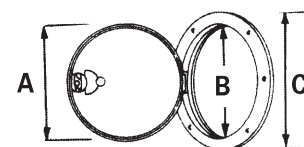
Locking



Non-Locking



Model	Color	Material	Locking	Plate Dimensions (A)	Interior Dimensions (B)	Exterior Dimensions (C)
42791	white	ABS	-			
47726	ivory	ABS	-			
43585	white	ABS	✓	9.0" (203mm)	7.5" (190mm)	10.4" (265mm)
47728	ivory	ABS	✓			
43565	white	ABS	-			
47725	ivory	ABS	-			
43579	white	ABS	✓	9.9" (250mm)	9.3" (235mm)	12.4" (315mm)
47727	ivory	ABS	✓			



DECK HARDWARE

Screw-in Inspection Plates