

# SPARE PARTS



## COMPASSES

### Protective covers, lighting, brackets, compensation : see Page 43

- 17302 Protective cover for Contest 100
- 19592 Fixing clip for Offshore 70 & 75
- 39404 Bracket and screws for Offshore 75
- 17297 Protective cover for Offshore 85
- 17287 Protective cover for Offshore 100
- 28499 2 screws for bracket, Offshore 90
- 28502 2 screws for bracket, Offshore 105
- 29404 Protective covers for white Olympic 135
- 11490 Flange for white Olympic 135
- 29403 Protective covers for black Olympic 135
- 51066 Flange for black Olympic 135
- 38473 Bracket kit Contest 130 black
- 38474 Bracket kit Contest 130 white
- 17671 12 V light for Mini-Contest black/white
- 17311 24 V light for Mini-Contest black/white





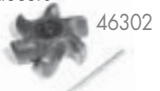

## ELECTRONICS & NAVIGATION

### NAVMAN electronics




#### Common parts


- 42401 Swivelling bracket for Fish 4000 series Tracker 5000 series & Tracker 6500  42401
- 39368 Power supply cable (LT8 to 5-wire) without NavBus Fish 4150/4200/4380/4431  39368
- 39291 Power supply cable (LT8 to 9-wire) with NavBus - Tracker 5000 series - TrackFish 6000 series - Fish 4500/4507/4600/4607/4433 - Combo 8084/8120  39291
- 40655 Bulkheadmount kit - Fish 4000 series - Tracker 5000 series - TrackFish 6600/6500  40655
- 51788 Wallmount kit for VHF (with magnet) for models 7000 - 7100 - 7110 - 7200  51788
- 53659 Protection cap for Navman LT8 socket  53659

#### Paddle wheels for Navman speed transducers

- 17408 Paddle wheel for transducers 25982/40640/26010/42285 Plastimo 30 kt transducer  17408
- 27172 Paddle wheel for transducers 26017/40641 50 kt thru-hull transducer  27172
- 46302 Paddle wheel for transom transducers 40644/51865/29616 suitable for Fish 4150/4200/4431/4433/440  46302
- 53080 Paddle wheel for dual frequency Aquaducer 47612  53080

#### Other Navman accessories

- 54051 Masthead unit for Wind 100/3100/3150  54051
- 27169 Rotating cups (all Navman wind instruments)  27169
- 27170 Navman windvane (former ref. 26196)  27170

- 56025 Masthead spear (new masthead unit ref. 54051)  56025
- 53081 Bracket for 47612 Aquaducer dual frequency transducer
- 26009 Plastimo depth transducer alone
- 26010 Plastimo 30 kt log transducer + Fuji 4-pin socket, no thru-hull
- 42285 Plastimo 30 kt log transducer + LT8 socket, no thru-hull
- 17406 Thru-hull fitting for Plastimo transducers
- 17407 Plug for Plastimo thru-hull fitting
- 19942 Gasket for Plastimo thru-hull transducers
- 37084 Thru-hull fitting for 50 kt speed transducer
- 46981 Plug for 50 kt speed thru-hull fitting

#### Navman 3100 instruments

- 38163 4 m extension cable + LT8 connector
- 40648 Protection cover
- 54051 Masthead unit alone for Wind 3100/3150
- 46826 30 m mast cable for Wind 3100/3150

#### Navman Fish 4000 series (4100 to 4600)

- 40645 Transom-mount transducer + cable for Fish 4100-4350-4430-4432
- 42401 Swivelling bracket
- 40656 Protective cover Fish 4100-4150-4200-4350-4380
- 40658 Power supply + Y-cable for Fish 4100-4350-4430-4432
- 40659 Y-cable for Fish 4150-4200-4380-4431-4433
- 39337 Y-cable, 1-engine kit Fish 4200-4380-4433
- 42402 Protective cover Fish 4500-4507
- 46646 Protective cover for Fish 4600-4607

#### GPS Tracker 5100 à 5600

- 42402 Protective cover Tracker 5100(i)-5110(i)-5500(i)-5505(i)-5507
- 40656 Protective cover Tracker 5380(i)-5430(i)
- 46646 Protective cover Tracker 5600-5605-5607
- 39337 Y cable, NMEA input/fuel Tracker 5380(i)
- 55369 Tri-function cable GPS antenna/Fuel/AIS for 5507/5607

#### GPS Tracker 5380/5430

- 40656 Protective cover

#### TrackFish 6500 & 6600

- 42402 Protective cover for TF6500
- 53490 Y cable for fuel option on TF6500
- 50334 Protective cover for TF6600
- 50335 Bracket for TF6600

#### Multifunction Combos 8120/8084

- 54934 Protective cover for 8120
- 54935 Protective cover for 8084
- 55125 Protective cover for C-Map SD slot on 8120
- 54431 Bracket for 8120
- 54889 Bracket for 8084
- 39337 Y cable, NMEA input/fuel
- 55360 Video camera for 8120 and 8084
- 55429 20 m cable extension (power supply and video) for camera 55360
- 55560 3 m cable for connection from radar processor to 8120/8084
- 55561 25 cm cable NMEA input for radar processor

#### G-Pilot 3100 & 3380

- 53515 Swivelling bracket for G-Pilot 3380
- 53516 Protective cover for G-Pilot 3380
- 50769 Set of brushes RV1/RV2
- 50778 Plastic strain relief

#### VHF Navman

- 51160 Mounting bracket
- 51162 VHF protective cover
- 51161 VHF bulkhead-mount kit
- 52267 VHF power supply cable
- 51598 Connection cable to GPS (standard DIN plug)
- 54647 Handset for VHF 7110 (blue keys)
- 55563 Handset for VHF 7110 (black keys)
- 54677 10 m connection cable from VHF to handset

## Former electronic ranges

### Digipak

17633 Protective cover

### Instruments Navman 100

26020 10 m extension cable for Depth 100  
26049 10 m extension cable for Log 100  
26050 Protection cover  
25271 Bulkhead-mount gasket  
31416 Y-cable for Multi, to triducer 29616  
27171 30 m mast cable for Wind 100 Fish 400/440/450 & Tracker 500/500i  
31420 Protection cover for Fish 400-440-450, Tracker 500-500i  
29622 Mounting bracket for Fish 400-440-450, Tracker 500-500i  
31653 2-swivel kit for bracket ref. 29622  
31417 Bulkhead-mount kit for Fish 400-440-450 & Tracker 500-500i  
29618 Y + power supply cable for Fish 400  
30965 Depth transducer + power cable for Fish 400  
29619 Y-cable for Fish 440  
31654 Power supply cable for Fish 440  
57087 Transom triducer 40644 + 57094  
39368 Power supply cable for Fish 450  
37834 Y-cable for Fish 450  
29616+40660 Transom-mount transducer for Fish 450  
39337 Y-cable, 1-engine kit Fish 450  
31657 5-wire power supply cable for Tracker 500-500i  
36944 Power supply cable + cigarette lighter socket for T500-500i

### GPS Tracker 900/950

31655 Bracket for Tracker 900 & 950  
31656 2-swivel kit for bracket ref. 31655  
29626 Protective cover for Tracker 900 & 950  
31418 Bulkhead-mount gasket for Tracker 900 & 950  
31657 Power supply cable for Tracker 900  
29635 Active GPS antenna Tracker 900  
38164 5 m extension cable for Tracker 900 antenna  
39291 Power supply cable for Tracker 950  
39290 Active GPS antenna Tracker 950  
39178 4 m extension cable for Tracker 950 antenna  
39175 Cable to connect Tracker 950 to Tracker 900 antenna  
38808 Interface kit, PC to Tracker 950

### Diesel 3200

53067 Tachometer transducer  
53068 Diesel in-transducer (towards the engine)  
53069 Diesel out-transducer (from the engine)

## Other navigation instruments

### Sony ICF 7600G radio

37085 Antenna  
37086 200/6 V adaptor

### Radio Sangean 818ACS

46647 Antenna for 818 ACS radio

### Self-powered wind speed indicator

17436 Masthead unit + 20 m cable  
17437 Cockpit repeater 0/60 Knots  
17438 Cup type rotating masthead unit  
18950 Motor and axis  
21272 Individual cup  
20358 Facia for 0/60 kts repeater  
38475 Fixing bracket

### Windy handheld anemometers

31325 Cup kit + bracket for Windy ref. 31322  
38198 Cup kit for Windy ref. 38197  
46312 Cup kit for Windy ref. 46311  
49358 Cup kit for Windy ref. 49357  
49359 Bracket for Windy ref. 49357

### Wireless weather station WS-2200 (38434)

42510 Wind speed + direction indicator  
38491 Rainfall-meter

38492 Indoor temperature sensor  
38435 Thermo hygro sensor

### Wireless weather station WS-3600 (51614)

52227 Thermo hygro sensor  
52228 Wind speed + direction indicator  
52229 Rainfall-meter

### Electronic barometer on wood panel

38489 Thermo sensor for barometer 38157

### Clocks & Barometers

24141 Glass panel for 6" baro, 12762  
24142 Glass panel for 3" baro, 12767  
24143 Glass panel for 6" clock, 12763  
24144 Glass panel for 3" clock, 12765-6-8-9 & 35885-6  
35590 Glass panel for 4.5" clock, 31229, 31227  
35591 Glass panel for 4.5" clock, 31230  
38477 Glass panel for baro 38492  
38483 Glass panel for Weatherman 12761  
38485 Front facia + glass, 4" series, ref. 38206-8-9  
38486 Front facia + glass, 4" series, ref. 38207  
38487 Front facia + glass, 4" series, ref. 38210-2-3  
38488 Front facia + glass, 4" series, ref. 38211

### Fog-Free instruments

42480 Pitot sensor



## SAFETY

### Dan buoys & strobe lights

37038 2 lugs for dan buoy attachment  
51804 Gasket kit for light on Dan buoy and strobe lights  
10743 Upper part of older model dan buoy (black alloy pole)  
50914 Holding clip for Dan buoy lighting  
53417 Yellow container for inflatable Dan buoy  
20614 Bulb for 27046-27029 (6.5V-0.1A)

### Shroud/cable cutters

38479 Jaws for 25325  
38480 Jaws for 25326  
36921 Jaws for 25327

### Rescue Sling

38153 Yellow cover  
38151 White cover

### Rescue Line

28367 Bag



## MOORING

### Inflatable tenders

See page 230 or ask our Customer Service Dept, Fax 33 (0) 297 87 36  
16 or by e-mail : customer-support@plastimo.fr ; sales@plastimo.co.uk

### Rigid tenders

24080 Wheel for P200 & P220  
31723 Black wheel for P200, P220, PR300  
47556 Wheel clip for PRS210 & PRS245  
26329 Wheel clip for P200, P220, PR300  
47556 2 wheel clips for PRD260  
40674 Valve for seat, tender models 30835 & 30836  
16689 Valve for hull, tender models 30835 & 30836

### Pumps/inflators

36899 Hose for electric inflator 13436  
36898 Hose for foot pumps 16270-10157-10385  
36900 Adaptor for foot pumps 16270-10157-10385  
26852 Set of connectors for pumps 6270-10157-10385-14301-10386

### Davits

53497 Complete base holder for davits 36182  
53498 Complete base holder for davits 36183



## REEFING & SAILFITTINGS

### Bow rollers

- 39389 Sheave 54 x 48 mm
- 39390 Sheave 54 x 62 mm
- 39391 Sheave 70 x 62 mm

### Windlasses

- 42984 Locking handle for PWV & PWH 500-1000
- 42985 Control switch for PWV & PWH 500-1000
- 42986 12 V control box for PWV & PWH 500-1000

### PWH 500 & PWH 500F windlasses

- 47092 Gipsy Ø 6
- 55432 Gipsy Ø 8
- 47093 Conical blocking washer
- 47094 Gipsy drive shaft kit
- 47095 Ball bearings & accessories
- 47097 Pin guide kit
- 47098 500 W electric motor
- 47099 Hawse pipe + gasket
- 47100 Motor drive shaft kit
- 47090 Locking handle for PWH 500
- 47101 Locking handle for PWH 500F
- 47091 Gipsy locking cover PWH 500
- 47102 Gipsy locking cover PWH 500F
- 47096 Screws and rope guide kit, PWH 500
- 47103 Screws and rope guide kit, PWH 500F
- 47104 Gipsy crankcase free fall kit, PWH 500F, PWV 500 windlasses
- 47022 Locking handle
- 47023 Gipsy cover
- 47024 Gipsy
- 47025 Drive shaft kit
- 47026 Base kit
- 47027 Pin guide kit
- 47028 Deck installation kit
- 47030 Electric motor

### PWH 1000 windlasses

- 47032 Locking handle
- 47033 Gipsy cover
- 47034 Gipsy
- 47035 Drive shaft kit
- 47036 Base kit
- 47037 Pin guide kit
- 47038 Deck installation kit
- 47040 Electric motor

### Bumper & Performance fenders

- 20673 Plug for Bumper & Performance fenders
- 51858 Gasket for plug
- 51029 Black plug for fenders

### Regatta buoys

- 16446 Plug for buoys before 1999
- 36081 Plug for buoys since 1999

### Ladders

- 15679 Black step for aluminium ladder Ø 25, 290 mm
- 15681 Grey step for aluminium ladder Ø 25, 290 mm
- 15683 White step for aluminium ladder Ø 25, 290 mm
- 15678 Black step for st. steel ladder Ø 22, 290 mm
- 15680 Grey step for st. steel ladder Ø 22, 290 mm
- 15682 White step for st. steel ladder Ø 22, 290 mm
- 36932 Stand-off kit
- 29237 Flat grey step for ladders 16574-5 & 29204-5-6, 290 mm
- 55564 Grey step 180 mm, ladder 29398

### S series headsail reefing

- 10001 G - 406S drum
- 10003 G - 608S drum
- 10008 G - 810S drum
- 26324 Halyard tensor for 406S
- 37046 406S rope feeder kit
- 26325 5-hole coupling plates
- 26901 Standard alloy spar, 1.50 m, Ø 31 screwed
- 25752 A - Lower alloy spar, Ø 31, screwed
- 17067 Halyard swivel Ø 31 for 406S
- 17070 Halyard swivel Ø 31 for 608S & 809S
- 17065 PVC slide for 406S & 608S
- 19451 Cranked shackle for halyard swivel

### 55977 Accessory kit for S series, includes :

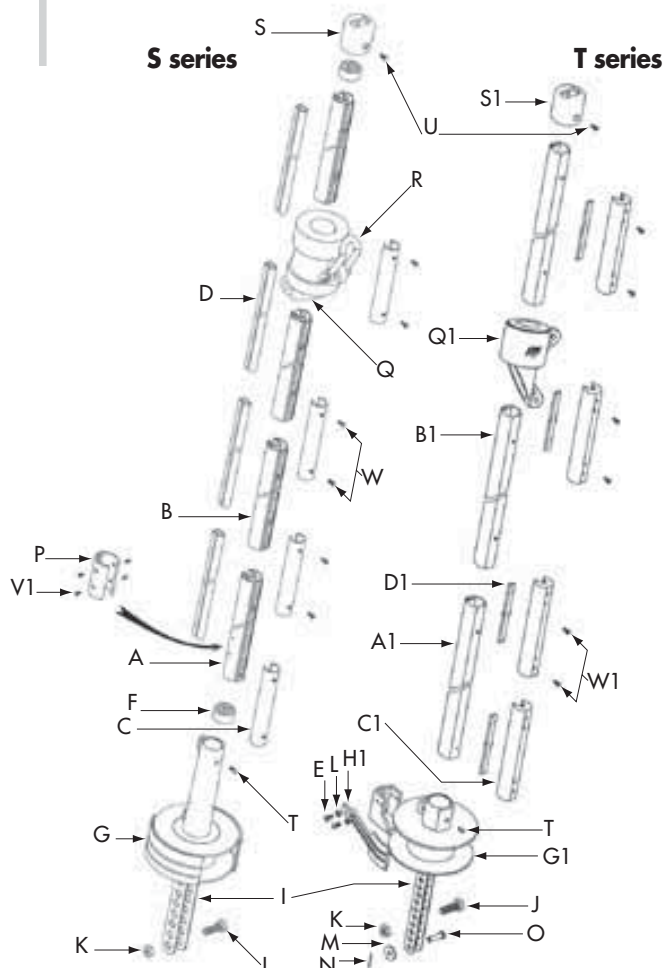
- P - Boltrope pre-feeder x 1
- F - Bearing Ø 31 x 2
- S - Top end stop x 1
- V - Slotted head screw x 4
- U - Slotted head screw x 1

### 55979 Junction liners + screws for S series, includes :

- C - Alloy junction liners x 7
- W - Slotted head screw x 14

### 55975 Set of screws for S series, includes :

- W - Slotted head screw x 14
- V - Slotted head screw x 4
- U - Slotted head screw x 1
- T - BTR screw for allen key x 1
- J - Hexagonal head screw x 1
- K - M8 nut x 1
- J - Hexagonal head screw x 1
- W - M12 nut x 1
- W - Slotted head screw x 1
- K - M14 nut M14 x 1



## T series headsail reefing

- 25184 A1 - Lower alloy spar, twin groove, 2.15 m  
26902 Standard alloy spar, twin groove, 2.15 m  
26327 G1 - 608T drum  
26326 G1 - 406T drum  
26328 G1 - 810T drum  
31221 1012T-1213T drum  
37047 406T rope feeder kit  
26323 Halyard swivel for 406T  
36887 Halyard swivel for 1012T & 1213T  
26322 Halyard swivel for 608T & 810T  
19451 Cranked shackle for halyard swivel  
55978 Accessory kit for T series, includes :  
S1 - Top end cap x 1  
U - Slotted head screw x 1  
55980 Junction liners + screws for T series, includes :  
C1 - Plastic junction liner x 7  
D1 - Forestay feeder x 7  
W1 - Slotted head screw x 10  
55976 Set of screws for T series, includes :  
W1 - Slotted head screw x 10  
U - Slotted head screw x 10  
T - BTR screw for allen key x 1  
J - Hexagonal head screw x 1  
K - M8 nut x 1  
J - Hexagonal head screw x 1  
K - M12 nut x 1  
J - Hexagonal head screw x 1  
J - M14 nut x 1

## Vireflex & Tempest wind indicators

- 38475 Mounting bracket



## DECK EQUIPMENT

### Parafil fittings

- 17645 Blocking cone for Parafil Ø 7 mm  
17646 Blocking cone for Parafil Ø 8 mm

### Inspection hatches

- 44197 Handle  
44206 Handle specific to model 42473

### Deck hatches

- 51870 2-handle kit  
52859 L 3M gasket

### Tiller extensions

- 40268 End cap



## POWERBOATING

### Water ski

- 29431 Front toe  
29432 Heel binding  
29433 Slalom toe binding  
29434 Long fin

### Ski tube

- 36081 Air plug and cap for 12478, 29723, 46608-09-10

### Wake Board

- 40274 Left footwrap, low-cut  
40462 Right footwrap, low-cut  
40273 Left footwrap, high-cut  
40461 Right footwrap, high-cut  
40280 Fin  
55676 Kit of low-cut footwraps, right + left  
55593 Kit of high-cut footwraps, right + left

### Jet Ski

- 36081 Plug

### Trim tabs

- 38921 Pair of standard cylinders  
38923 Control unit (standard)  
51806 Electro-magnetic sensors

### Fog-Free instruments

- 42480 Pitot sensor

## Motor brackets

- 17634 Left cheek for 17619  
17635 Right cheek for 17619  
17636 Left cheek for 17622  
17637 Right cheek for 17622  
21350 Pad for 17619-17622-27290  
23511 Spring for st. steel adjustable motor bracket  
23514 Pad for 10150  
23513 Pad for 10151  
23512 Pad for 10152  
28921 Plastic pad for 27287  
28922 Plastic pad for 27288  
53276 Plastic pad for 51566-51567-31619

## Fuel tanks

- 11557 Cap with fuel gauge for jerrycans 27261-2-3-4  
53797 Connector + hose for jerrycans 27261-2-3-4 & 10630  
36925 Cap + spout for jerrycans 27239-40  
38467 Set of 2 caps for jerrycan 29448  
36907 Cap + spout for jerrycans 17559-60  
36908 Cap alone for jerrycans 17559-60  
36914 Top plate, complete, for tanks 27265-27270-31474-31475  
36906 Gaskets for tanks 27265-27270-31474-31475  
36904 Red cap for tanks 27265-27270-31373-31475  
45301 Cap for 39646-7-9



## ELECTRICITY

### MFC Marine Fuel Cell

- 312952 MFC control panel alone

### White light on rod

- 38484 Spare glass for 17508-35731-35732

### Brass lamps

- 26720 Glass for 34 cm mooring lamp  
26721 Glass for Trawler lamp

### Deck spreader light

- 17643 Holding clips

### Halogen spreader light

- 11842 Spare bulb for spreader light 35806 & 35808

### Head lamps

- 36943 Lanyard for head lamp 18486  
36942 Bulb for head lamp 18486






## WATER

### Water supplies

#### Water heater

- 22697 800 W resistance  
29437 Thermistance  
35751 Pressure relief valve (Bavaria model)  
54181 Pressure relief valves for 14372-3 & 42911 water heaters

#### Flexible watertanks ● top ○ under

- 16659 Chamber for 50 L tank (40.15.104)   
16660 Chamber for 50 L tank (16654)   
16662 Chamber for 100 L tank (40.15.366)   
19265 Inlet-outlet fitting for watertank

#### Double action footpump 17494

- 17495 Repair kit : diaphragm + valves and gasket  
17496 Spare pedal

#### Foot pump 26951

- 30624 Repair kit

#### Fresh water pumps 22947-8-9 & 22950-3-4

- 40670 Diaphragm kit for pumps 22947-8-9 & 22950-3-4  
40671 Complete head for pump 22953  
40672 Complete head for pumps 22947-8-9  
40673 Complete head for pump 22950  
47867 Spray nozzle for high pressure washdown unit

## Pressure water pumps 10397 & 10398

- 31651 Diaphragm
- 52746 Kit of valves + diaphragm gaskets
- 54281 Filter

## Stainless steel sink

- 36912 Drain cap for sinks 27292, 10746 to -49, 18371 to -75



## BILGE WATER DISCHARGE

### Diaphragm pumps

#### 16.11/16.22/11722/11723/11724

- 16213 Kit of spare valves with brackets
- 16217 Spare diaphragm
- 14315 Spare handle
- 11512 Handle bracket
- 17644 Connecting part for pumps 16.11.309
- 14264 Kit of outlet elbow Yshaped
- 14263 Watertight gasket kit
- 12611 Cover for watertight gasket
- 31650 Diaphragm alone 14263 thru-bulkhead mounting

### Electric bilge/waste pumps, 18556-7 & 18561-2

- 18558 10 A fuse for 24 V
- 18559 20 A fuse for 12 V

### Diaphragm pumps 12760

- 16218 Repair kit for 12760, diaphragm+valves
- 16219 Spare diaphragm for 12760
- 16220 Hose connector dia 25 mm
- 16221 Spare handle

### Electric pumps

- 31658 Strainer for pump 16226
- 31659 Strainer for pump 16223.4
- 31660 Strainer for pump 16210.1



## COMFORT ON BOARD

### Cookers

#### One-burner hob

- 17457 Double gimbal for one-burner hob

#### SMEV hobs and ovens

- 52268 Frame for built-in mount 42677/42678/42679/42680/40686/40687
- 40687 Gimbals and lock
- 42760 Safety oven lock

#### Parts common to all models

- 17465 Pan support
- 17468 Hinge for oven door
- 17475 Grill burner
- 17463 Oven burner
- 17471 Flame failure device for oven burner

#### Parts for models until 1990

- 17481 Flame failure device for upper burner

#### Parts for models since 1991

- 12948 Base of burner
- 12951 Upper flame-failure device
- 12952 Upper burner kit, L + R
- 36928 Black knob, 2000 series
- 36929 Red knob, 2000 series
- 36930 Gasket for oven door
- 36931 Set of knobs, 3000 series
- 39661 Oven door for 2000 series, sand colour
- 39658 Oven door for 3000 series, black

#### 3000 series

Please ask our customer service dept for detailed sketches,  
by fax : 33 (0) 297 87 36 16 or e-mail customer-support@plastimo.fr

## Barbecue

- 24133 Stone
- 25293 Stainless steel plate
- 28558 Grill for gas barbecue
- 28559 Barbecue top hood
- 42374 Knob on hood
- 28560 Burner for gas barbecue
- 28561 Gas connector
- 42376 Holding bracket for gas BBQ
- 42376 Holding bracket for charcoal BBQ
- 42373 Gas supply elbow fitting
- 38481 Upper grid for charcoal BBQ
- 38482 Lower grid for charcoal BBQ
- 42372 BBQ carrying bag

## Fisherman coolboxes (Igloo)

- 31662 Carrying handle
- 31661 Fastening clip

## Catalytic heaters

- 17543 Board and catalyst fibre pad for small models (standard and st. steel)
- 17544 Flame failure device for small models (standard and st. steel)
- 17545 Board and catalyst fibre pad for large model

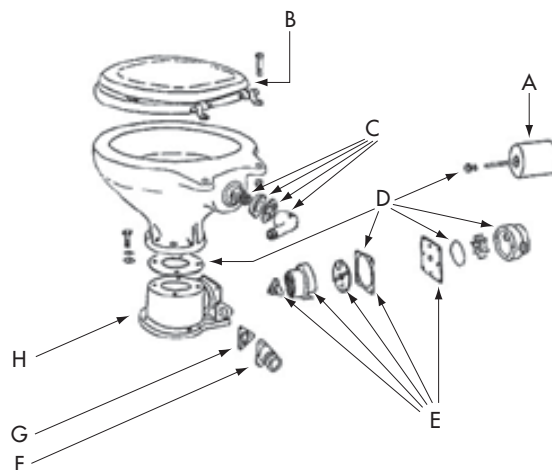
## Toilets

### Sealock toilets

- 403083 Complete pump
- 403084 Base only
- 410955 Gasket kit

### Electric toilet, horizontal pump

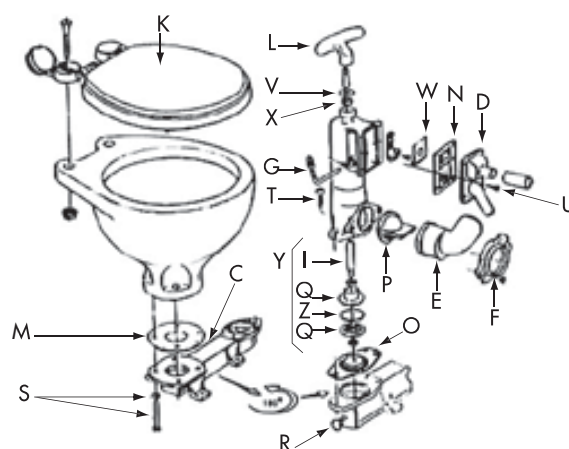
- 20277 D+E+F+G Bowl base + 12 V pump
- 28635 A - 12 V motor
- 28636 A - 24 V motor
- 28629 B - Wooden seat
- 28630 C - Inlet valves
- 28631 D - Gaskets
- 28637 E - Macerator
- 28634 G - Outlet fitting
- 54429 F - Outlet fitting end cap



## Toilets (since 1991)

12330	Bilge pump
12342	Complete manual pump for toilet
12328	12 V electric pump
12343	Small porcelain bowl
12344	Plastic bowl
12345	Large porcelain bowl
12346	C - Base for toilet (bowl & pump)
12347	D - Valve cover house
12348	E - Discharge elbow
12349	F - Flange for discharge elbow
12350	G - Control valve handle
12351	Inlet valve cam with screw
12352	I - Piston rod
12353	K - ABS seat and cover
12360	Wooden seat and cover
12354	L - Pump handle with piston
12355	M - Bowl gasket
12356	N - Inlet valve with gasket
12357	O - Pump valve with gasket
12358	Check valve
12359	Q - Piston
12361	S - Bowl fixing bolts x 4
12362	T - Pump-to-base bolt x 1
12363	U - Screws for 12347

12364	V - Bumper washer
12365	W - Rigid inlet valve gasket
12366	Pump gasket
12367	I V Q Z - Piston with complete rod
12368	Z - Piston ring
12369	Set of gaskets & valves
12370	Seat and cover for large bowl



## Photographers

B.Y. LEGLATIN,  
Larmor-Plage, France

Altair Yachts  
Chantiers Bénéteau  
William Borel  
Laurent Charpentier  
Philippe Chrétien  
François Delayre  
Yann Georges  
Chantiers Jeanneau  
Jérôme Kélagopian  
Gilbert Le Cossec  
Christophe Le Potier  
Jean-Marie Liot  
Stéphanie de Loustal  
Loïc Madeline  
Miguel Mallafre  
Gilles Martin-Raget  
Menorquin Yachts  
Camille Moirenc  
John Nash, DPPI  
Thomas Neile  
Philippe Neiras  
Philip Plisson  
Guillaume Plisson  
Polar Lys, P&F Vernay  
Christian Rérat  
Patrick Roach  
Graham Snook, Yachting Monthly  
Benoît Stichelbaut, DPPI  
Trader Motor Yachts  
Owe Tollesby  
Ocean Images  
François Van Mallegem  
Voiles & Voiliers  
Yvan Zedda



## Conditions of sale

**Plastimo sells only to chandlers, boat builders and bona fide retailers in the marine trade. Plastimo products are available to the general public through this network of retailers. Please contact our sales office or visit [www.plastimo.com](http://www.plastimo.com) to obtain the name/address of your nearest dealer.**



**All products manufactured by Plastimo**, which must comply with a standard of buoyancy, resistance, inflation time ... are declared up to standard when they leave our factory. These products are designed and produced for normal conditions of use.

**Use of goods** : Information and general advice given in this catalogue are for indicative purposes only and strictly apply to the use of our products in a recreational boating environment. It is the customer's responsibility to determine a product's suitability for his intended application. Plastimo hereby gives notice that it will not accept responsibility for any damages or loss directly or indirectly arising as a result of the inappropriate use of its products.

**The year 2009 is a turning point for Europe**, with the implementation of new EC standards throughout the year. Plastimo will of course be respecting all new European directives, and thus reserves the right to modify any of its products affected by new legislation coming into force in 2009.

**Misprints excepted**, this catalogue (and all accompanying leaflets) are intended to give a general description only. Illustrations, sizes and descriptions are generally accurate, but shall not be considered binding or part of a contract. Plastimo reserves the right to alter technical specifications, etc.. without notice. Colours shown in our catalogue are as accurate as printing variations permit ; they may vary slightly from the actual product.

## Warning

Plastimo S.A. (Lorient-France) has paid the copyrights related to all the photographs printed in this catalogue. Any reproduction of these photos -whatever the media- is strictly forbidden without the authorisation from Plastimo S.A. and the photographer.

N° 3013

